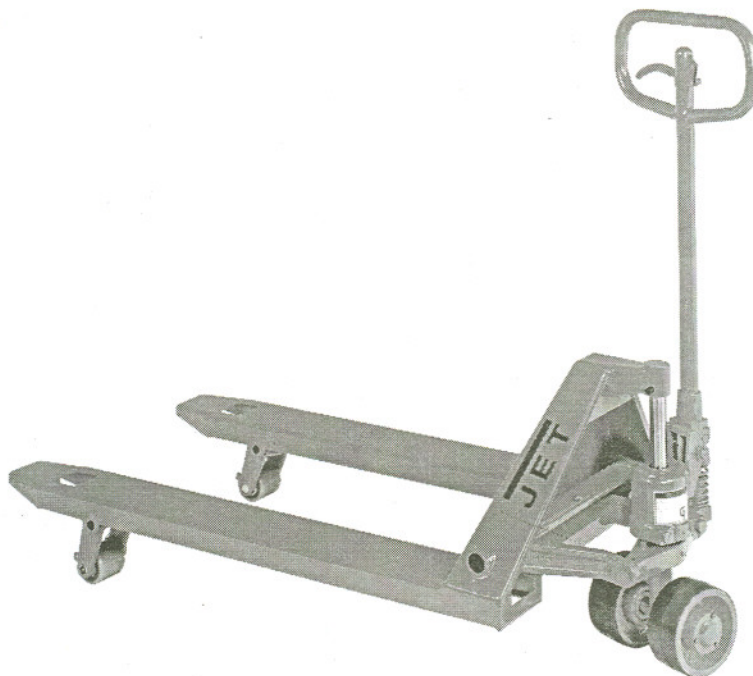


JET

EQUIPMENT & TOOLS

OWNER'S MANUAL **“J” Series Pallet Trucks**



JET EQUIPMENT & TOOLS, INC.
A WMH Company
www.jettools.com

P.O. BOX 1349
Auburn, WA 98071-1349
e-mail jet@jettools.com

Phone: 253-351-6000
Fax: 1-800-274-6840
M-140080 1/02

This manual has been prepared for the owner and operators of a JET "J" Series Pallet Truck. Its purpose, aside from tool operation, is to promote safety through the use of accepted correct operating and maintenance procedures. Completely read the safety and maintenance instructions before operating or servicing the tool. To obtain maximum life and efficiency from your pallet truck, and to aid in using the tool safely, read this manual thoroughly and follow instructions carefully.

Warranty & Service

The JET Group warrants every product it sells. If one of our tools needs service or repair, one of our Authorized Repair Stations located throughout the United States can give you quick service.

In most cases, any one of these JET Group Repair Stations can authorize warranty repair, assist you in obtaining parts, or perform routine maintenance and major repair on your JET, Performax or Powermatic tools.

For the name of an Authorized Repair Station in your area, please call 1-800-274-6848, or visit www.jettools.com.

More Information

Remember, the JET Group is consistently adding new products to the line. For complete, up-to-date product information, check with your local JET Group distributor, or visit www.jettools.com.

JET Group Warranty

The JET Group (including Performax and Powermatic brands) makes every effort to assure that its products meet high quality and durability standards and warrants to the original retail consumer/purchaser of our products that each product be free from defects in materials and workmanship as follow: 2 YEAR LIMITED WARRANTY ON "J" SERIES PALLET TRUCKS. This warranty does not apply to defects due directly or indirectly to misuse, abuse, negligence or accidents, normal wear-and-tear, repair or alterations outside our facilities, or to a lack of maintenance.

THE JET GROUP LIMITS ALL IMPLIED WARRANTIES TO THE PERIOD SPECIFIED ABOVE, FROM THE DATE THE PRODUCT WAS PURCHASED AT RETAIL. EXCEPT AS STATED HEREIN, ANY IMPLIED WARRANTIES OR MERCHANTABILITY AND FITNESS ARE EXCLUDED. SOME STATES DO NOT ALLOW LIMITATIONS ON HOW LONG THE IMPLIED WARRANTY LASTS, SO THE ABOVE LIMITATION MAY NOT APPLY TO YOU. THE JET GROUP SHALL IN NO EVENT BE LIABLE FOR DEATH, INJURIES TO PERSONS OR PROPERTY, OR FOR INCIDENTAL, CONTINGENT, SPECIAL, OR CONSEQUENTIAL DAMAGES ARISING FROM THE USE OF OUR PRODUCTS. SOME STATES DO NOT ALLOW THE EXCLUSION OR LIMITATION OF INCIDENTAL OR CONSEQUENTIAL DAMAGES, SO THE ABOVE LIMITATION OR EXCLUSION MAY NOT APPLY TO YOU.

To take advantage of this warranty, the product or part must be returned for examination, postage prepaid, to an Authorized Repair Station designated by our office. Proof of purchase date and an explanation of the complaint must accompany the merchandise. If our inspection discloses a defect, we will either repair or replace the product, or refund the purchase price if we cannot readily and quickly provide a repair or replacement, if you are willing to accept a refund. We will return repaired product or replacement at JET'S expense, but if it is determined there is no defect, or that the defect resulted from causes not within the scope of JET'S warranty, then the user must bear the cost of storing and returning the product. This warranty gives you specific legal rights; you may also have other rights which vary from state to state.

The JET Group sells through distributors only. Members of the JET Group reserve the right to effect at any time, without prior notice, those alterations to parts, fittings, and accessory equipment which they may deem necessary for any reason whatsoever.

⚠ WARNING

- Read and understand the entire owner's manual before using the pallet truck.
- Do not place hands or feet under the pallet truck at any time.
- Do not operate a loaded pallet truck on ramps, or inclines.
- Do not tip load pallet truck forks. This may cause damage to the forks and personal injury if the rear of the pallet truck suddenly "pops up".
- Never leave a loaded pallet truck unattended in the raised position. Always lower load to the floor.
- Do not load pallet truck beyond its rated capacity 5,000 lbs.
- Secure load before transporting.
- To prevent accidental tipping, make sure load is centered on the forks.
- Do not move a loaded pallet truck by other than manual force.
- Failure to comply with these warnings may result in personal injury and/or property damage.

Introduction

Congratulations on your purchase of a JET Pallet Truck.

To better understand the proper use and safe operation of this pallet truck, please take a few minutes to carefully read and follow the instructions contained in this manual. When finished reading and understanding the manual, please file in a safe and convenient location for the life of the pallet truck.

This pallet truck is designed to push and pull palletized material loads up to 5,000 pounds only.

You will notice several important features about your JET Pallet Truck. One, its 2-1/2" lowered height and tapered fork tips allow easy entry into pallets. The PT-3348J four-way pallet truck features a 2" lowered height.

The heavy-gauge steel frame is reinforced with cross-welded steel plates to prevent forks from bending and solid steel push rods are used for added strength. The pump features top-of-the-stroke and overload by-pass valve systems. A durable powder coat finish provides long lasting steel protection.

Extra wide polyurethane covered steel steer wheels and nylon load wheels feature lifetime lubricated, double sealed bearings to provide smooth, quiet rolling and added stability.

Your JET Pallet Truck is truly one of the finest pallet trucks in the world.

Record Your Purchase Information Here

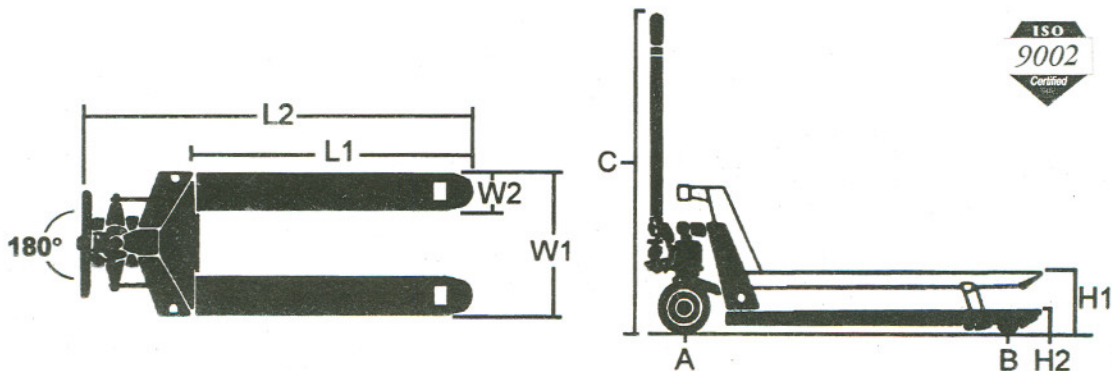
Purchased from:	Date:
Model Number:	Stock Number:
Serial Number:	Date in Service:

Table of Contents

Warranty	2
Warnings	3
Introduction	3
Purchase Information	3
Table of Contents	4
Specifications	4
Assembly	5-6
Pallet Truck Operation	6-7
Up-Down Cam Adjustment	7
Bleed the Pump	7
Lubrication	7
Seal and O-Ring Replacement	8
Troubleshooting	9
Parts Breakdown & Parts List	10-13
Test Certificate	14

Specifications

Model #	Stock #	W1	W2	L1	L2	H1	H2	A (dxw)	B (dxw)	C	Net Wt. lbs.
PT-1636J	140016	16"	6"	36"	55"	6-1/4"	2-1/2"	6-1/4"×2-3/4"	2-1/2"×3-3/4"	45-1/8"	135
PT-2036J	140085	20 1/2"	6"	36"	51"	6-1/4"	2-1/2"	6-1/4"×2-3/4"	2-1/2"×3-3/4"	45-1/8"	150
PT-2042J	140084	20 1/2"	6"	42"	57"	6-1/4"	2-1/2"	6-1/4"×2-3/4"	2-1/2"×3-3/4"	45-1/8"	161
PT-2048J	140083	20 1/2"	6"	48"	63"	6-1/4"	2-1/2"	6-1/4"×2-3/4"	2-1/2"×3-3/4"	45-1/8"	172
PT-2736J	140082	27"	6"	36"	51"	6-1/4"	2-1/2"	6-1/4"×2-3/4"	2-1/2"×3-3/4"	45-1/8"	174
PT-2742J	140081	27"	6"	42"	57"	6-1/4"	2-1/2"	6-1/4"×2-3/4"	2-1/2"×3-3/4"	45-1/8"	185
PT-2748J	140080	27"	6"	48"	63"	6-1/4"	2-1/2"	6-1/4"×2-3/4"	2-1/2"×3-3/4"	45-1/8"	196
PT-3348J	140033	33"	6"	48"	63"	6"	2"	6-1/4"×2-3/4"	2"×3-3/4"	45-1/8"	216



The specifications in this manual are given as general information and are not binding. JET Equipment & Tools reserves the right to effect, at any time and without prior notice, changes or alterations to parts, fittings, and accessory equipment deemed necessary for any reason whatsoever.

Assembly

Note: Individual trucks are assembled and ready to use. Pallet trucks purchased in crate quantities (6 units to a crate) require some assembly. Match the "number" label on the handle to the "number" label on the frame, prior to assembly.

Tools Needed for Assembly

- Hammer
- Flat Head Screwdriver
- Pliers or 17mm Wrench

1. Insert the base of the handle (A, Fig. 1) into the pump bracket (B, Fig. 1).
2. Align the holes (C, Fig. 1) at the base of the handle with the holes in the pump bracket.
3. Using a screwdriver, pry the cam (D, Fig. 1) up and slip the bolt head, under the notch in the cam. **Do not adjust the nut.**

4. Insert handle pins (E, Fig. 2) into the holes of the pump bracket and handle. Align the spring pin holes (F, Fig. 2) in the handle pin and the pump bracket.
5. Tap the handle pins into place with a hammer.

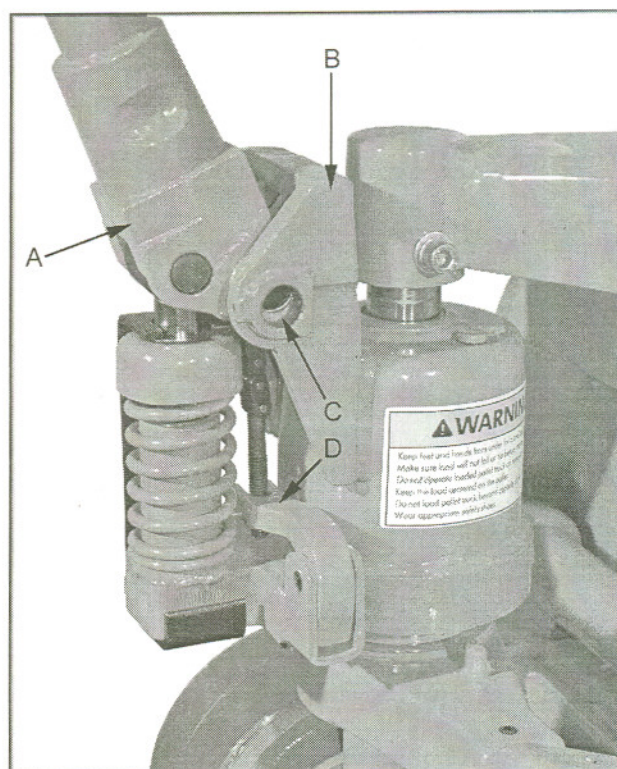
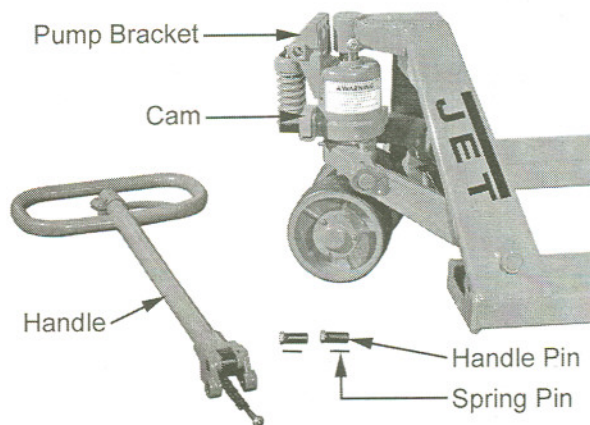


Fig. 1



Fig. 2

6. Using a hammer, tap the spring pins (A, Fig. 3) into the pump bracket and handle pins.
Note: If the holes aren't lined up use a 17mm wrench or pliers to turn the handle pin until the spring pin holes line up.
7. Repeat for the opposite side handle pin.
8. Pull the handle down and remove the retaining bracket (B, Fig. 3) by pulling straight out. Discard retaining bracket.

Note: If the pallet truck does not raise, or lower properly you may have air bubbles in the pump from shipping. Refer to "Bleed the Pump" on page 7.

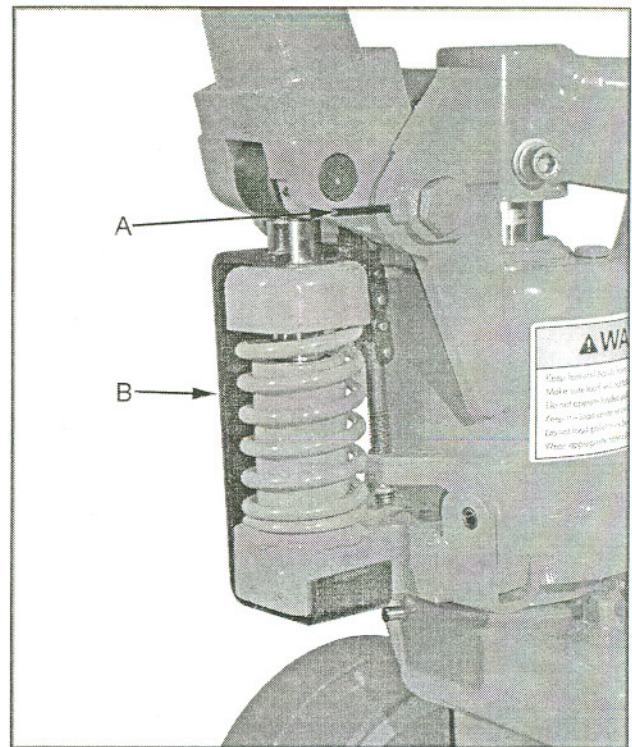


Fig. 3

Pallet Truck Operation

To raise the forks, place handle in the UP position (bottom part of the handle slot), see Fig. 4.

To lower forks, pull lever handle to DOWN position (upper part of the slot).

To freely move the handle, set the lever in Neutral (center notch of slot).

To Lift a Load

1. Lower forks to lowest position, Figure 4.
2. Insert forks under load, or into pallet.
3. Place lever in UP position (bottom part of slot), Figure 4.
4. Move handle up, and down until forks reach desired height.

To Move a Load

1. Place lever in NEUTRAL position (center notch of slot), Figure 4.
2. Pull or push pallet truck to desired location.

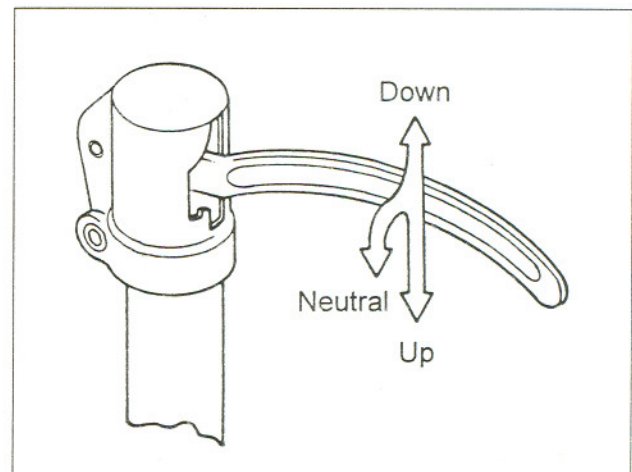


Fig. 4

To Lower a Load

1. Pull lever to the DOWN position (upper part of slot), Figure 5.
2. Pull forks away from load.

Up-Down Cam Adjustment

1. Set the lever in the NEUTRAL position, Figure 5.
2. Turn the cam nut while pumping the handle, Figure 6.
3. When lifting stops, give the nut one more turn.
4. The cam nut is properly adjusted when pumping the handle in the NEUTRAL position causes no movement of the hydraulic ram.

Cleaning the Release Valve (Bleed the Pump)

Over time, the hydraulic pump assembly may become clogged with debris, air bubbles, and not function properly.

To clean the release valve and bleed the pump:

1. Pump handle quickly, raising pallet truck to full extent. While continuing pumping action, pull lever to down position.
2. When forks reach total down position, valve is flushed. Repeat if necessary.

Lubrication

Check the oil level annually by removing the oil plug found on the top of the pump housing. When changing or adding oil, fill the tank through the oil plug screw hole to 80% capacity with hydraulic jack oil, about 2" deep in pump housing, see Figure 7. **Do not** use any other type of oil.

There is one grease fitting (#55B in the breakdown) located on the table. Lubricate this point on a semi-annual basis.

Wheel bearings are sealed and require no lubrication. Crank Shaft features oil light bushings that also require no lubrication.

Lightly oil all moving parts.

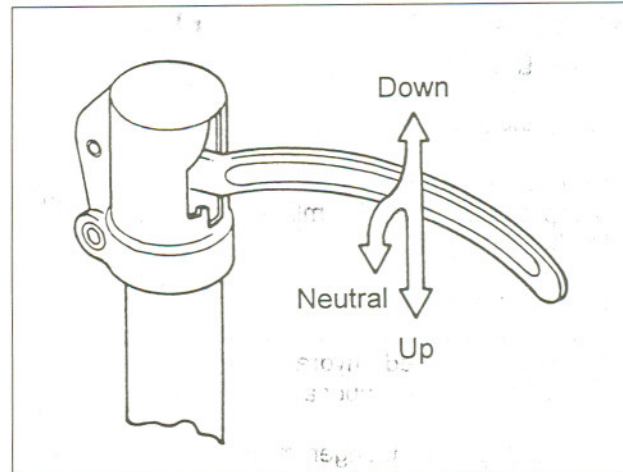


Fig. 5

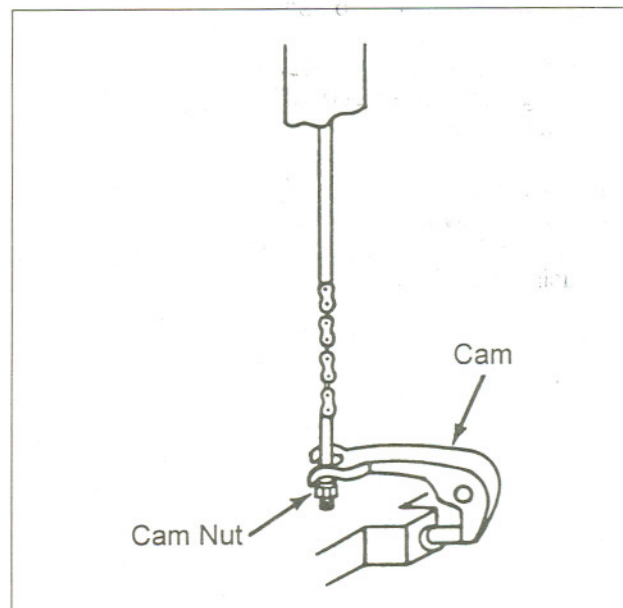


Fig. 6

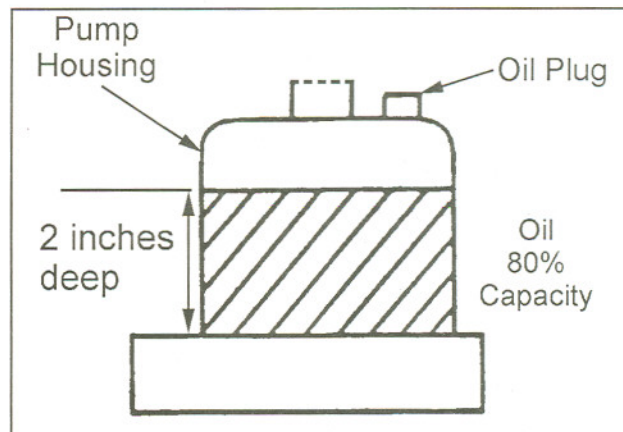


Fig. 7

Seal and O-Ring Replacement for Piston and Plunger Piston

1. Raise the pallet truck by pumping handle.
2. Remove the bolts #70. This will free the pump and handle assembly from the pallet truck.
3. Empty the oil into a suitable container. Pump handle until all oil has drained. Dispose of used hydraulic oil, or fluid according to local disposal regulations.
4. Pull out piston plunger #33, and/or ram piston #25.
5. Remove all o-rings and seals, see Figure 8.
6. Insert new o-ring or seal one at a time making sure to replace with the same size that was removed.
7. Reassemble and fill the oil tank through the oil plug screw hole to 80% capacity with new hydraulic jack oil, about 2" deep in pump housing, see Figure 7.

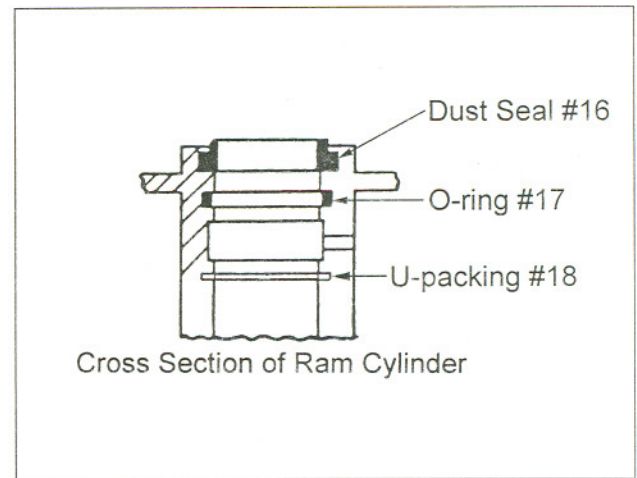
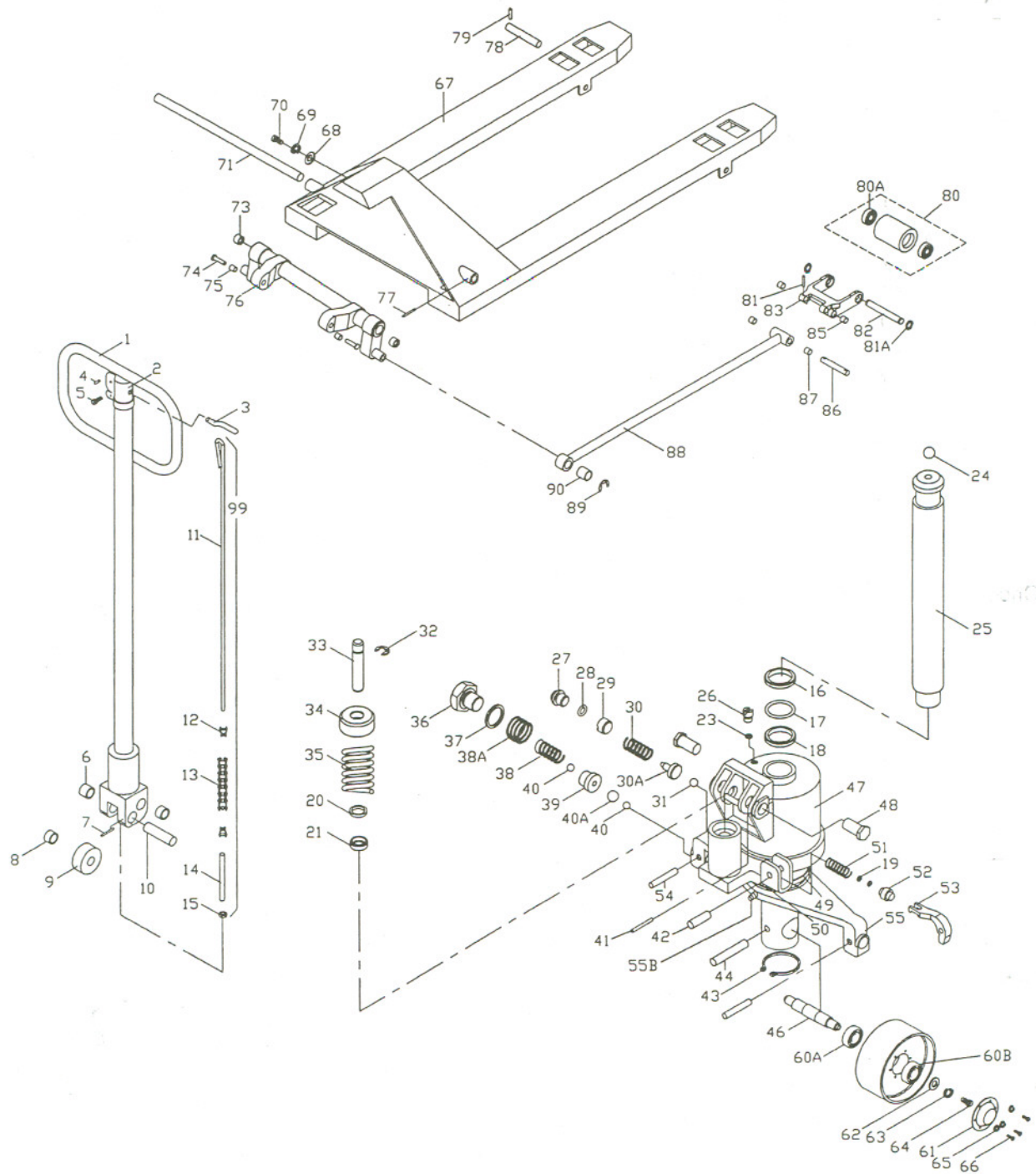


Fig. 8

Troubleshooting

Condition	Probable Causes	Corrective Action
Hydraulic unit does not lift.	<ol style="list-style-type: none"> 1. Oil low in tank. 2. Air in pump. 3. Worn O-ring in ram cylinder. 	<ol style="list-style-type: none"> 1. Make sure there is no oil leakage from Release Plug #36 or Pressure Adjustment Screw #27, and add oil. 2. Place the lever in the down position and pump the handle repeatedly. 3. Consult authorized repair station.
Once lifted, truck lowers by itself.	<ol style="list-style-type: none"> 1. Steel ball not seated in hydraulic unit. 2. Worn O-ring in ram cylinder. 3. Release valve not seated properly. 4. Release valve not adjusted properly. 5. Oil leakage from Release Plug #36 or Pressure Adjustment Screw #27. 	<ol style="list-style-type: none"> 1. See "Cleaning the Release Valve" page 7. 2. Consult authorized repair station. 3. See "Cleaning the Release Valve" page 7. 4. Reload truck within load capacity, and adjust valve by Pressure Adjustment Screw #27. 5. Tighten Release Plug #36. Replace O-rings on Release Plug #36 and/or Pressure Adjustment Screw #27. Consult authorized repair station.
Fork does not lower.	<ol style="list-style-type: none"> 1. Cam #53 broken. 2. Up-down cam nut #15 out of adjustment. 3. Broken fork rods and linkage. 	<ol style="list-style-type: none"> 1. Replace cam #53. 2. Refer to "Adjusting Up-Down Cam" page 7. 3. Consult authorized repair station, or replace broken parts.
Lever does not set at NEUTRAL position.	<ol style="list-style-type: none"> 1. Up-down cam nut out of adjustment. 	<ol style="list-style-type: none"> 1. Refer to "Adjusting Up-Down Cam" page 7.

Parts Breakdown for the "J" Series Pallet Trucks



Parts List for the "J" Series Pallet Trucks

Index No.	Part No.	Description	Size	Qty.
1	PT2748A-001	Handle		1
2	PT2748A-002	Handle Cap		1
3	PT2748A-003	Lever		1
4	PT2748A-004	Spring Pin	5x16mm	1
5	PT2748A-005	Bolt	M8x20	1
6	PT2748A-006	Oil Lite Bushing		2
7	PT2748A-007	Spring Pin	3x28mm	1
8	PT2748A-008	Oil Lite Bushing		1
9	PT2748A-009	Roller		1
10	PT2748A-010	Roller Pin		1
11	PT2748A-011	Release Rod		1
12	PT2748A-012	Chain Joint		2
13	PT2748A-013	Chain		1
14	PT2748A-014	Anchor Bolt		1
15	PT2748A-015	V-Nut	M8	1
16	PT2748J-101A	Dust Seal *		1
17	PT2748J-101A	O-Ring *	29.8x3.5mm	1
18	PT2748J-101A	U-Packing *	30x38x6mm	1
19	PT2748J-101A	O-Ring *	4.8x1.9mm	2
20	PT2748J-101A	Dust Seal *		1
21	PT2748J-101A	U-Packing *	18x24x8	1
23	PT2748J-101A	O-Ring *	5.7x1.9mm	1
24	SB-14MM	Steel Ball	14mm	1
25	PT2748J-025	Ram Piston (all models except PT-3348J)		1
	PT3348J-025	Ram Piston (PT-3348J Only)		1
26	PT2748A-026	Oil Plug		1
27	PT2748A-027	Pressure Adjust Screw		1
28	PT2748J-101A	O-Ring *	11.6x2.4mm	1
29	PT2748A-029	Release Screw		1
30	PT2748A-030	Spring	10x2.3x27mm	1
30A	PT2748A-30A	Valve		1
31	SB-6MM	Steel Ball	6mm	1
32	PT2748A-032	E-Ring	15mm	1
33	PT2748L-033	Plunger Piston		1
34	PT2748A-034	Spring Cap		1
35	PT2748A-035	Spring	38x5x112.5mm	1
36	PT2748A-036	Release Plug		1
37	PT2748A-037	Washer	20mm	1
38	PT2748A-038	Spring	8x1.5x12.8mm	1
38A	PT2748A-038A	Spring	4.8x0.7x15mm	1
39	PT2748A-039	Valve Housing		1
40	SB-6MM	Steel Ball	6mm	2
40A	SB-9MM	Steel Ball	9mm	1
41	PT2748A-041	Spring Pin	3x28mm	2
42	PT2748A-042	Spring Pin	8x25mm	1
43	PT2748A-043	Snap Ring	44mm	1
44	PT2748A-044	Spring Pin	8x45mm	1
46	PT2748A-046	Wheel Shaft (all models except PT-1636J)		1
	PT1636J-046	Wheel Shaft (PT-1636J Only)		1
47	PT2748A-109	Pump Housing Assembly (all models except PT-1636J & PT-3348J)		1
	PT1636J-109	Pump Housing Assembly (PT-1636J Only)		1
	PT3348J-109	Pump Housing Assembly (PT-3348J Only)		1

Index No.	Part No.	Description	Size	Qty.
48	PT2748A-048	Handle Pin		2
49	PT2748A-049	Bearing Base		1
50	BB-51109	Ball Bearing	51109	1
51	PT2748A-051	Spring	6.3x1.2x25mm	1
52	PT2748A-052	Release Nozzle		1
53	PT2748A-053	Cam		1
54	TS-0367061	Spring Pin	6x35mm	2
55	PT2748A-055	Table (all models except PT-1636J & PT-3348J)		1
	PT1636J-055	Table (PT-1636J Only)		1
	PT3348J-055	Table (PT-3348J Only)		1
55B	PT2748A-055B	Grease Fitting		1
60	PT2748L-103	Steer Wheel Assembly W/Bearings		1
60A	BB-6205VV	Steer Wheel Ball Bearing	6205VV	2
60B	BB-6304VV	Steer Wheel Ball Bearing	6304VV	2
61	PT2748A-061	Cap		2
62	TS-1550071	Washer	10mm	2
63	TS-0720091	Lock Washer	10mm	2
64	TS-1491021	Bolt	M10x20	2
65	TS-1551031	Lock Washer	5mm	6
66	TS-1481041	Bolt	M5x16	6
67		Fork Frame (N/A)		1
68	TS-1550061	Washer	8mm	2
69	TS-1551061	Lock Washer	8mm	2
70	TS-1504031	Socket Head Cap Screw	M8x14	2
71	PT2748A-071	Crank Shaft (PT-2736J / PT-2742J / PT-2748J)		1
	PT2048A-071	Crank Shaft (PT-2036J / PT-2042J / PT-2048J)		1
	PT1636J-071	Crank Shaft (PT-1636J Only)		1
	PT3348J-071	Crank Shaft (PT-3348J Only)		1
73	PT2748J-073	Oil Lite Bushing		2
74	PT2748A-074	Table Pin		2
75	PT2748A-075	Oil Lite Bushing		2
76	PT2748J-076	Lifting Yoke (PT-2736J / PT-2742J / PT-2748J)		1
	PT2048J-076	Lifting Yoke (PT-2036J / PT-2042J / PT-2048J)		1
	PT1636J-076	Lifting Yoke (PT-1636J Only)		1
	PT3348J-076	Lifting Yoke (PT-3348J Only)		1
77	PT2748J-077	Spring Pin (all models except PT-3348J)	6x35mm	1
	PT3348J-077	Spring Pin (PT-3348J Only)	6x30mm	1
78	PT2748J-078	Arm Pin (all models except PT-3348J)		2
	PT3348J-078	Arm Pin (PT-3348J Only)		2
79	PT2748J-079	Spring Pin	5x25mm	2
80	PT2748J-080BN	Black Nylon Load Wheel W/Bearings (all models except PT-3348J)		2
	PT3348J-080ZS	Steel Load Wheel W/Bearings (PT-3348J Only)		2
80A	BB-6004VV	Load Wheel Bearing (all models except PT-3348J)	6004	4
	BB-6203LS	Load Wheel Bearing (PT-3348J Only)	6203	4
81	PT2748J-081	Spring Pin	5x30mm	2
81A	PT2748J-081A	Snap-Ring (all models except PT-3348J)	20mm	4
	PT3348J-081A	Snap Ring (PT-3348J Only)	17mm	4
82	PT2748J-082	Load Wheel Axle (all models except PT-3348J)		2
	PT3348J-082	Load Wheel Axle (PT-3348J Only)		2
83	PT2748J-083	Arm (all models except PT-3348J)		2
	PT3348J-083	Arm (PT-3348J Only)		2

Index No.	Part No.	Description	Size	Qty.
85	PT2748J-085	Oil Lite Bushing (all models except PT-3348J)		4
	PT3348J-085	Oil Lite Bushing (PT-3348J Only)		4
86	PT2748J-086	Rod Pin (all models except PT-3348J)		2
	PT3348J-086	Rod Pin (PT-3348J Only)		2
87	PT2748J-087	Oil Lite Bushing (all models except PT-3348J) 4		
	PT3348J-087	Oil Lite Bushing (PT-3348J Only)		4
88	PT2736J-088	Rod (PT-1636J / PT-2036J / 2736J)		2
	PT2742J-088	Rod (PT-2042J / PT-2742J)		2
	PT2748J-088	Rod (PT-2048J / PT-2748J)		2
	PT3348J-088	Rod (PT-3348J Only)		2
89	PT2748A-089	E-Ring	37	2
90	PT2748A-090	Bushing		2
99	PT2748A-099	Release Rod Assembly		1
	PT2748J-101A	Repair Kit (includes index # 16-23, 28)		1
	PT2748J-109	Pump Assembly (all models except PT-1636J & PT-3348J)		1
	PT1636J-109	Pump Assembly (PT-1636J Only)		1
	PT3348J-109	Pump Assembly (PT-3348J Only)		1
	PT2748J-110	Pump, Handle, Wheel Assy (all models except PT-1636J & PT-3348J)		
	PT1636J-110	Pump, Handle, Wheel Assembly (PT-1636J Only)		1
	PT3348J-110	Pump, Handle, Wheel Assembly (PT-3348J Only)		1
	MP-012	Touch-Up Paint (not shown)		1
	PT1636J-ID	I.D. Label (not shown)		1
	PT2036J-ID	I.D. Label (not shown)		1
	PT2042J-ID	I.D. Label (not shown)		1
	PT2048J-ID	I.D. Label (not shown)		1
	PT2736J-ID	I.D. Label (not shown)		1
	PT2742J-ID	I.D. Label (not shown)		1
	PT2748J-ID	I.D. Label (not shown)		1
	PT3348J-ID	I.D. Label (not shown)		1
	PT2748J-JET	JET Logo Label (not shown)		2
	PT2748J-WL	Warning Label (not shown)		1
	PT2748J-PL	Pump Label (not shown)		1

* Available only in the repair kit – PT2748J-101A



TEST CERTIFICATE

COMMODITY	Pallet Truck
MODEL	PT- J
SERIAL NO.	
CAPACITY	5,000 lbs
TEST LOAD	5,000 lbs
DATE OF INSPECTION	
JUDGEMENT	PASSED
INSPECTOR	

JET EQUIPMENT & TOOLS, INC.
 A WMH Company
 www.jettools.com

2415 West Valley Highway N
 P.O. Box 1349
 Auburn, WA 98071-1349

Fax: 800-274-6840
 Phone: 253-351-6000
 e-mail: jet@jettools.com



Always follow manufacturer instructions

AAA Rent-All 225-291-1356



Always follow manufacturer instructions

AAA Rent-All 225-291-1356